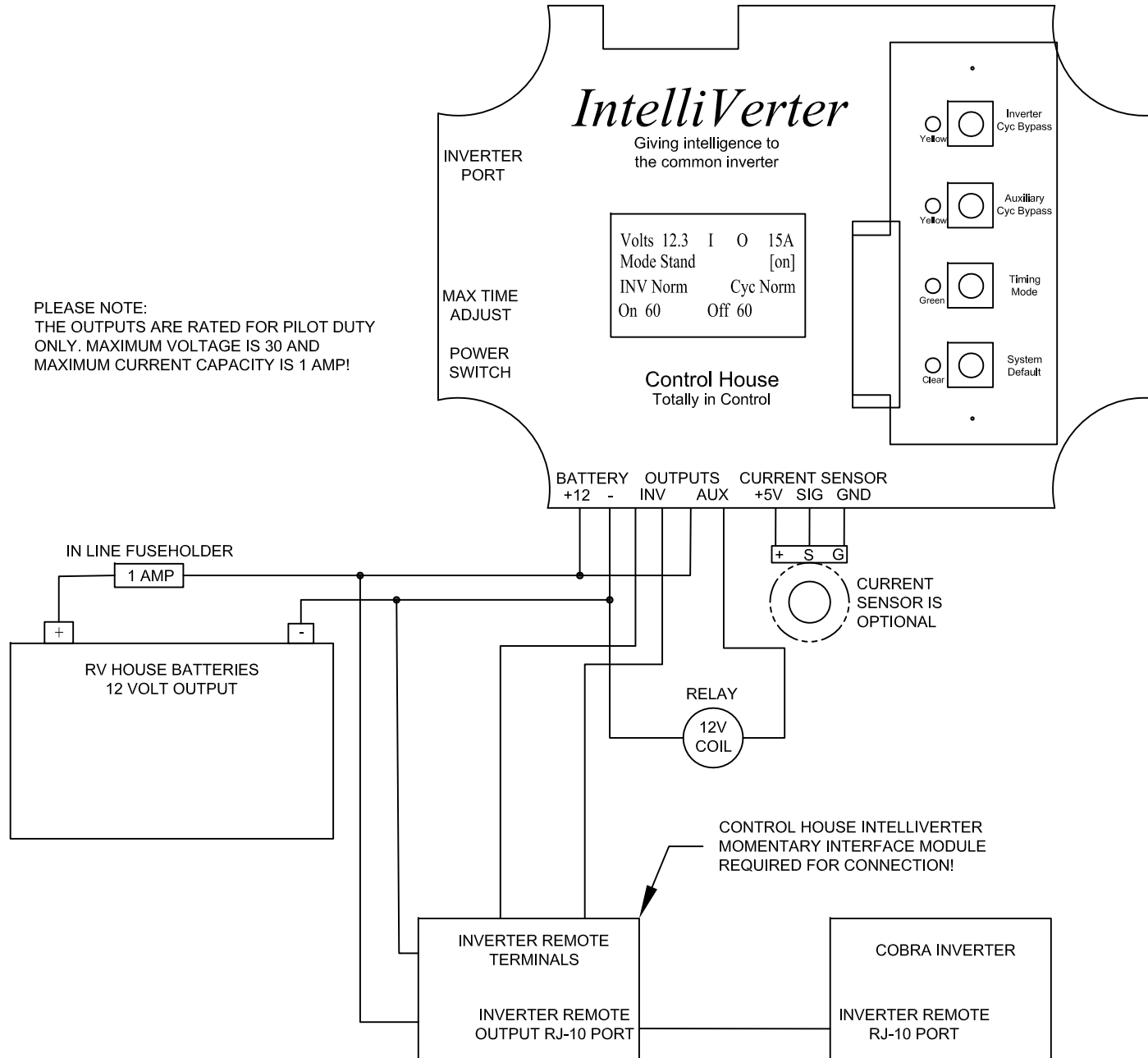


COBRA INVERTER CONNECTION DIAGRAM



PLEASE NOTE:
THE OUTPUTS ARE RATED FOR PILOT DUTY ONLY. MAXIMUM VOLTAGE IS 30 AND MAXIMUM CURRENT CAPACITY IS 1 AMP!

A DRY CONTACT IS USED TO CONTROL THE REMOTE INVERTER INPUT. THE INTELLIVERTER ONLY WORKS WITH THIS TYPE OF INVERTER.