

IntelliVerter

Giving intelligence to the common inverter

Volts 12.3 I 0 15A
Mode Stand [on]
INV Norm Cyc Norm
On 60 Off 60

Control House
Totally in Control

- Yellow Inverter Cyc Bypass
- Yellow Auxiliary Cyc Bypass
- Green Timing Mode
- Clear System Default

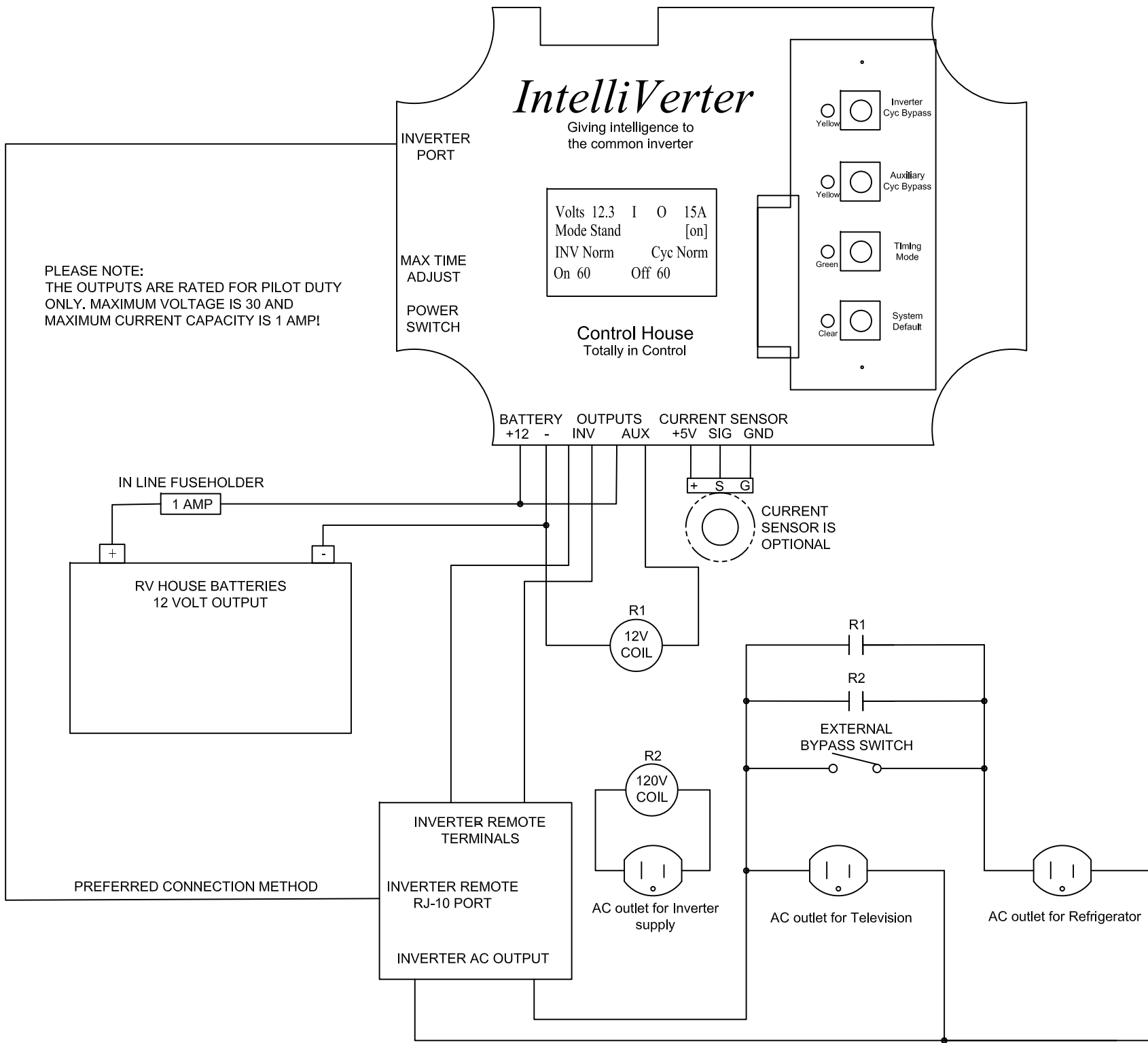
INVERTER PORT

MAX TIME ADJUST

POWER SWITCH

BATTERY OUTPUTS CURRENT SENSOR
+12 - INV AUX +5V SIG GND

PLEASE NOTE:
THE OUTPUTS ARE RATED FOR PILOT DUTY ONLY. MAXIMUM VOLTAGE IS 30 AND MAXIMUM CURRENT CAPACITY IS 1 AMP!



PREFERRED CONNECTION METHOD

INVERTER REMOTE TERMINALS

INVERTER REMOTE RJ-10 PORT

INVERTER AC OUTPUT

